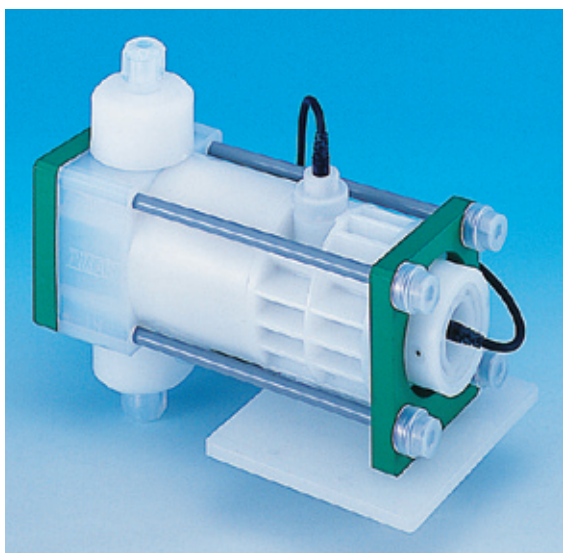


PW Series Bellows Metering Pump

The PW Series Bellows Metering Pump is designed for more precise chemical dispensing. High accuracy ($\pm 1\%$) is attainable without additional flow control valves, due to our exclusive corrugated valves (patent pending).



Features

- High reliability PTFE bellows type pump with fixed stroke length.
- PTFE corrugated valve spring is free from mechanical fatigue by thermal cycle or bending.
- Flow rate variable from 10 to 100% of maximum by changing stroke speed.
- $\pm 1\%$ accuracy without any back pressure device.
- PB-11 Controller available for all PW Series Bellows Metering Pumps.

Specification

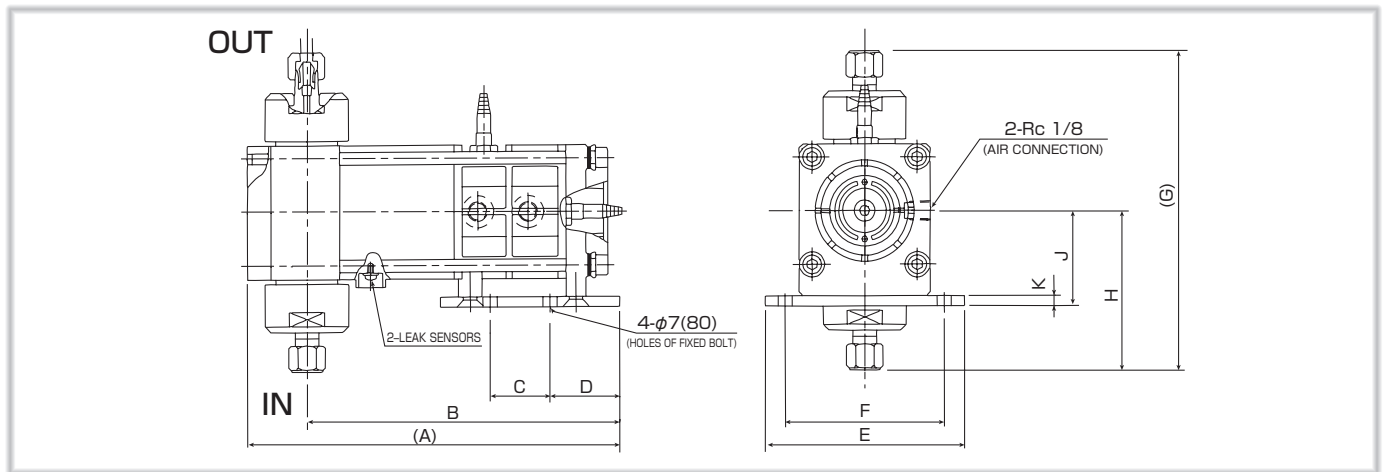
TYPE	PW-5MA	PW-10MA
Pump connections(mm)	$\phi 6 \times \phi 4$	$\phi 10 \times \phi 8$
Pump connectors(※1)	Super type Pillar fitting	Super 300 type Pillar fitting
Dispensing/stroke(ml)	5 (※2)	10 (※2)
Operating temp(°C)	10 ~ 100 (50~212°F)	
Dispensing precision(%)	$\pm 1.0\%$ (※3)	
Air connections	2-Rc 1/8	
Supply air pressure(MPaG)	0.2 ~ 0.25	
Max discharge pressure(MPaG)	0.05	
Max inhaling hight(m)	3.5 (Pure water 40spm)	
Stroke speed(spm)	4 ~ 40 (※4)	
Weight(kg)	1.3	1.5

※1: Pump type differ by liquid connector. Please inform us when ordering.

※2: Value apply when used with pure water, temp 25°C (77°F)

※3: Value apply when used constant temperature, supply air pressure, stroke speed.

※4: Do not use outside 4~40spm.

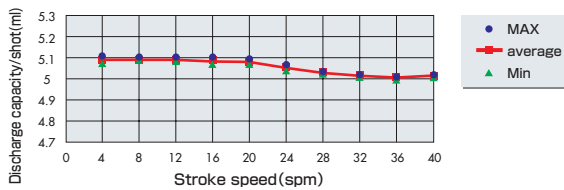


Dimension

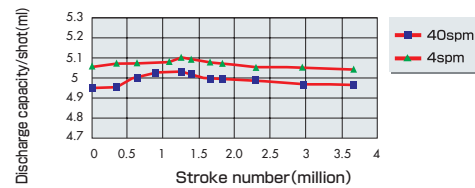
TYPE	(A)	B	C	D	E	F	mm(inch)					
							(G)		(H)		J	K
							SUPER TYPE	SUPER 300 TYPE P	SUPER TYPE	SUPER 300 TYPE P		
PW-5MA	187 (7.36)	157 (6.18)	30 (1.18)	35 (1.38)	100 (3.94)	80 (3.15)	158 (6.22)	156 (6.14)	79 (3.11)	78 (3.07)	47 (1.85)	5 (0.20)
PW-10MA	187 (7.36)	157 (6.18)	30 (1.18)	35 (1.38)	100 (3.94)	80 (3.15)	178 (7.01)	187 (7.36)	89 (3.50)	93.5 (3.68)	47 (1.85)	5 (0.20)

Performance

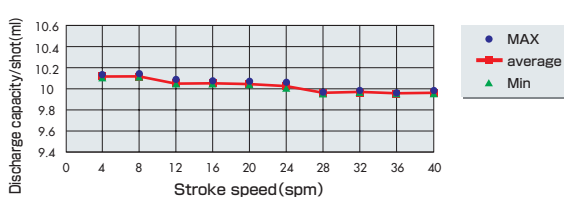
PW-5MA Quantity precision



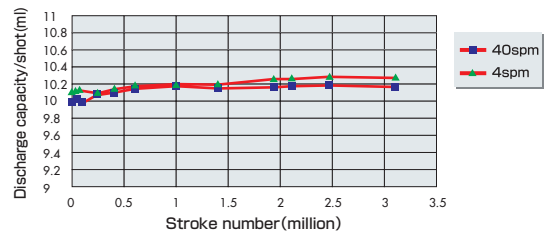
PW-5MA Long-term test results(room temp)



PW-10MA Quantity precision



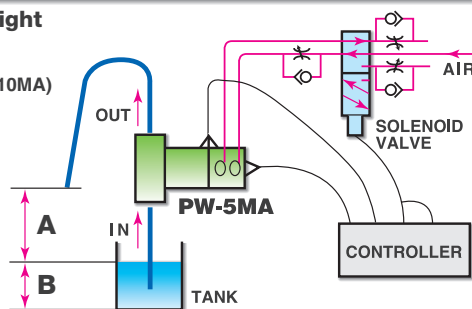
PW-10MA Long-term test results(room temp)



Recomendable layout

Usage Point Height

A:1000mm
B:1000mm
(500mm for PW-10MA)



Controller, PB-11



- 168W×150L×44H (mm)
- DC 24V
- 2.2 lb

NIPPON PILLAR PACKING CO., LTD.

Head Office : 11-48, Nonakaminami 2 Chome, Yodogawa-ku, Osaka, 532-0022 Japan.
Tel : 81-(0)6-6305-2821 Fax : 81-(0)6-6302-3300
E-mail : info@pillar.co.jp

Nippon Pillar Corporation of America : 1562, Parkway Loop, Suite2C, Tustin, CA 92780, USA.
Tel : 1-714-258-7741 Fax : 1-714-258-7760
E-mail : sales@nipponpillar.com

Nippon Pillar Singapore Pte, Ltd. : No. 237 Pandan Loop, #03-01 Westech Building, Singapore 128424
Tel : (65)6861-7138 Fax : (65)6862-9098
E-mail : npillars@singnet.com.sg

Taiwan Pillar Industry Co.,Ltd. : 8F, No.45, SEC.1, MINQUAN E. RD., ZHONGSHAN DIST., TAIPEI CITY., 10452, TAIWAN.
Tel : TAIPEI(886) 2-2587-1911 Fax : TAIPEI(886) 2-2585-3131
URL:http://www.taiwanpillar.com.tw/ E-mail: sales@taiwanpillar.com.tw

Shanghai Pillar Trading Co.,Ltd. : Far East International Plaza A-1111, No.319, Xianxia Road, Changning District, Shanghai China. (200051)
Tel : CHINA(86) 21-6208-7711 Fax : CHINA(86) 21-6235-0501
URL:http://www.pillar-cn.com/ E-mail: sales@sh.pillar-cn.com
Nippon Pillar Packing Co.,Ltd. India Liaison Office : 111(old no.46),4th Main Road, Gandhi Nagar, Adayar, Chennai 600 020, India
Tel : +91-44-3299-1422

<http://www.pillar.co.jp/> e-mail : info@pillar.co.jp

*Specifications and dimensions are subject to change without prior notice.

*The data on this catalogue are solely for your reference and are not to be construed as constituting a warranty.



• Follow the instructions, before installation and operation, for your safety.