

STOP VALVE & CHECK VALVE



STOP VALVE

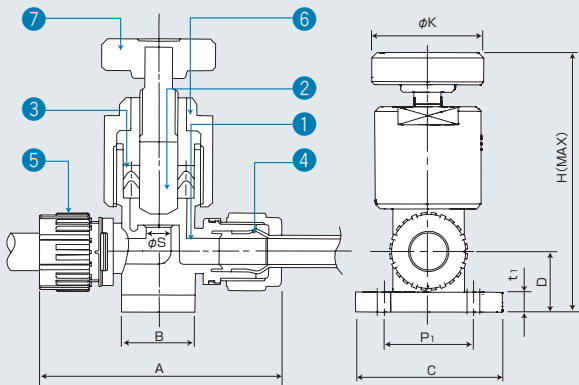
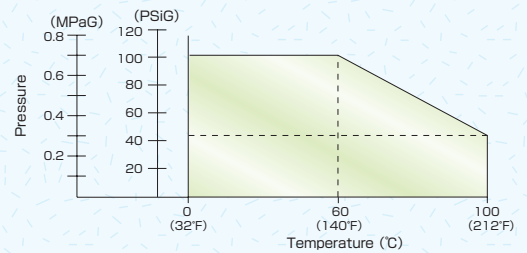
Feature

- All wetted parts are made of NEW PFA and PTFE suitable for use in high purity and high corrosive chemical handling applications.
- It is available in a wide range of temperatures from 0°C to 100°C {32°F~212°F}
- The valve body and super 300 fitting are injection-molded into a one piece PFA body with a very smooth surface.

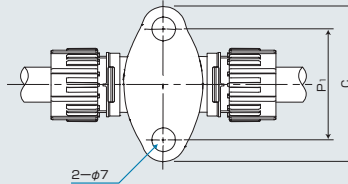
Specifications

Type : **PSV**
 Operation method : **Manual**
 Connecting method : **Tube fitting (Super 300 type fitting)**
 Max operation pressure : **0.7MPaG {99.54PSIG}**
 Max operation temperature : **100°C {212°F}**
 Ambient temperature : **60°C {140°F}**
 Fluid : **Chemical & DI water liquids**

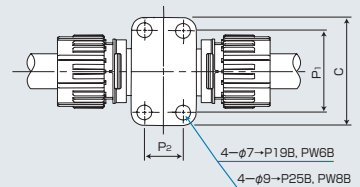
Operation pressure and Temperature range



PSV- P06B~P12B
PSV- PW2B~PW4B



PSV-P19B, P25B
PSV-PW6B, PW8B



Main parts list

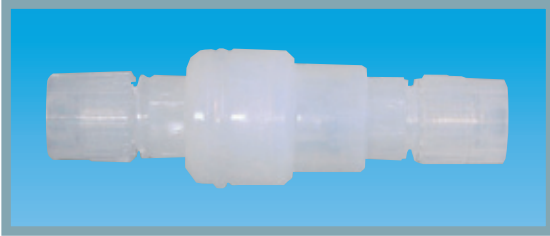
Parts	No.	Parts	Material	Parts	No.	Parts	Material
Wetted parts	1	Valve body	PFA	Non-wetted parts	5	Union nut	PFA
	2	Stem	PFA		6	Outer ring	P.P
	3	V-ring set	PTFE		7	Knob	P.P
	4	Sleeve	PFA				

Dimension

mm Tube											mm (inch)	
Type No.	TUBE SIZE O.D.I.D	H (MAX)	A	B	C	D	t1	P1	P2	φK	φS	
PSV-P06B	6× 4	79 (3.11)	64 (2.52)	17 (0.67)	43 (1.69)	16 (0.63)	5 (0.20)	31 (1.22)	—	30 (1.18)	4 (0.16)	
PSV-P08B	8× 6	84.5 (3.33)	72 (2.83)	19 (0.75)	44 (1.73)	17.5 (0.69)	5 (0.20)	32 (1.26)	—	30 (1.18)	5 (0.20)	
PSV-P10B	10× 8	94 (3.70)	84 (3.31)	24 (0.94)	51 (2.01)	21 (0.83)	7 (0.28)	38 (1.50)	—	35 (1.38)	7 (0.28)	
PSV-P12B	12×10	104 (4.09)	95 (3.74)	27 (1.06)	55 (2.17)	23 (0.91)	7 (0.28)	42 (1.65)	—	42 (1.65)	9 (0.35)	
PSV-P19B	19×15.8	121 (4.76)	119 (4.69)	36 (1.42)	60 (2.36)	28 (1.10)	7 (0.28)	46 (1.81)	22 (0.87)	50 (1.97)	14 (0.55)	
PSV-P25B	25×22	151 (5.94)	148 (5.83)	50 (1.97)	79 (3.11)	33 (1.30)	7 (0.28)	62 (2.44)	33 (1.30)	70 (2.76)	20 (0.79)	
inch Tube											mm (inch)	
Type No.	TUBE SIZE O.D.I.D	H (MAX)	A	B	C	D	t1	P1	P2	φK	φS	
PSV-PW2B	6.35× 3.95	79 (3.11)	64 (2.52)	17 (0.67)	43 (1.69)	16 (0.63)	5 (0.20)	31 (1.22)	—	30 (1.18)	4 (0.16)	
PSV-PW3B	9.53× 6.33	94 (3.70)	84 (3.31)	24 (0.94)	51 (2.01)	21 (0.83)	7 (0.28)	38 (1.50)	—	35 (1.38)	7 (0.28)	
PSV-PW4B	12.7 × 9.5	104 (4.09)	95 (3.74)	27 (1.06)	55 (2.17)	23 (0.91)	7 (0.28)	42 (1.65)	—	42 (1.65)	9 (0.35)	
PSV-PW6B	19 ×15.8	121 (4.76)	119 (4.69)	36 (1.42)	60 (2.36)	28 (1.10)	7 (0.28)	46 (1.81)	22 (0.87)	50 (1.97)	14 (0.55)	
PSV-PW8B	25.4 ×22.2	151 (5.94)	148 (5.83)	50 (1.97)	79 (3.11)	33 (1.30)	7 (0.28)	62 (2.44)	33 (1.30)	70 (2.76)	20 (0.79)	

Remarks : Super Fitting is also available.

CHECK VALVE



Feature

- All wetted parts are made of NEW PFA suitable for use in high purity and high corrosive chemical handling applications.
- It is available in a wide range of temperatures from 0°C to 150°C {32°F~302°F}
- The valve body and super 300 fitting are injection-molded into a one piece PFA body with a very smooth surface.
- Low cracking pressure (0.01MPa) ensures smooth liquid flow.

Specifications

Type : PGB

Connecting method : **Tube fitting (Super 300 type fitting)**

Max open pressure : **0.7MPaG {99.54PSIG}**

Cracking pressure : **0.01MPaG {1.42PSIG}**

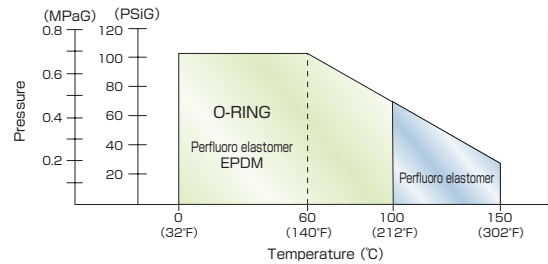
Sealing pressure closing : **0.05MPaG {7.11PSIG}**

Max operation temperature : **O-Ring : Perfluoro elastomer : 150°C {302°F}**
: EPDM : 100°C {212°F}

Temperature in Atmosphere : **60°C {140°F}**

Fluid : **Chemical & DI water liquids**

Operation pressure and Temperature range



Main parts list		
No.	Parts	Material
1	Body 1	PFA
2	Body 2	PFA
3	Union nut	PFA
4	Sleeve	PFA
5	Check valve	PFA
6	O-RING	Perfluoro elastomer or EPDM

Dimension

mm Tube		mm (inch)							
Type No.	Tube diameter	(A)	(B)	C	(D)	φE	F	W	φS
PGB P4-4B-※	4 × 3	77 (3.03)	14.7 (0.58)	7 (0.28)	20 (0.79)	26 (1.02)	12 (0.47)	12 (0.47)	3.1 (0.12)
PGB P6-6B-※	6 × 4	85.5 (3.37)	19 (0.75)	7 (0.28)	20 (0.79)	26 (1.02)	16 (0.63)	15 (0.59)	4 (0.16)
PGB P8-8B-※	8 × 6	91.5 (3.60)	22 (0.87)	7 (0.28)	20 (0.79)	26 (1.02)	19 (0.75)	18 (0.71)	6 (0.24)
inch Tube		mm (inch)							
Type No.	Tube diameter	(A)	(B)	C	(D)	φE	F	W	φS
PGB PW2-W2B-※	6.35 × 3.95	85.5 (3.37)	19 (0.75)	7 (0.28)	20 (0.79)	26 (1.02)	16 (0.63)	15 (0.59)	4 (0.16)

The end of type ※ means O-Ring Material.

Code	Material	Marking
K	Perfluoro elastomer	X
E	EPDM	○

Remarks :

1. O-RING less is available.
2. Super Fitting is also available.

Remarks : Concerning PGB P4-4B-※. Structure is different from above mentioned drawing.
 Special items are available Please contact us.

NIPPON PILLAR PACKING CO., LTD

Head Office : 11-48, Nonakaminami 2 Chome, Yodogawa-ku, Osaka, 532-0022 Japan.
 Tel : 81-(0)6-6305-2821 Fax : 81-(0)6-6302-3300
 E-mail : info@pillar.co.jp

Nippon Pillar Corporation of America : 1562, Parkway Loop, Suite2C, Tustin, CA 92780, USA.
 Tel : 1-714-258-7741 Fax : 1-714-258-7760
 E-mail : sales@nipponpillar.com

Nippon Pillar Singapore Pte, Ltd. : No. 237 Pandan Loop, #03-01 Westech Building, Singapore 128424
 Tel : (65)6861-7138 Fax : (65)6862-9098
 E-mail : npillars@singnet.com.sg

Taiwan Pillar Industry Co.,Ltd. : 8F, No.45, SEC.1, MINQUAN E. RD., ZHONGSHAN DIST., TAIPEI CITY., 10452, TAIWAN.
 Tel : TAIPEI(886) 2-2587-1911 Fax : TAIPEI(886) 2-2585-3131
 URL:http://www.taiwanpillar.com.tw/ E-mail: sales@taiwanpillar.com.tw

Shanghai Pillar Trading Co.,Ltd. : Far East International Plaza A-1111, No.319, Xianxia Road, Changning District, Shanghai China. (200051)
 Tel : CHINA(86) 21-6208-7711 Fax : CHINA(86) 21-6235-0501
 URL:http://www.pillar-cn.com/ E-mail: sales@sh.pillar-cn.com

Nippon Pillar Packing Co.,Ltd. India Liaison Office : 111(old no.46),4th Main Road, Gandhi Nagar, Adayar, Chennai 600 020, India
 Tel : +91-44-3299-1422

<http://www.pillar.co.jp/> e-mail : info@pillar.co.jp

*Specifications and dimensions are subject to change without prior notice.

*The data on this catalogue are solely for your reference and are not to be construed as constituting a warranty.



- Follow the instructions, before installation and operation, for your safety.