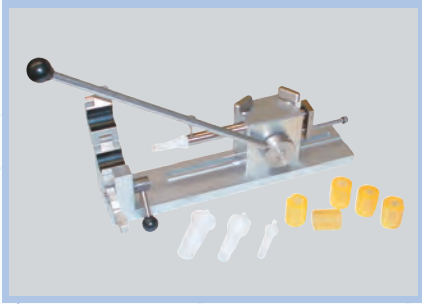


P SERIES SUPER 300 TYPE PILLAR FITTING SLEEVE INSERTION TOOL

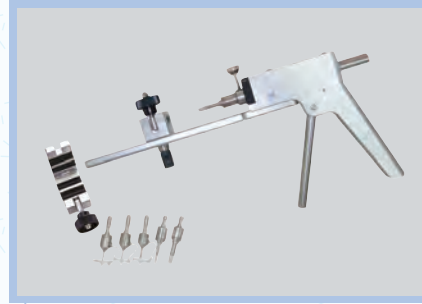
Room temperature insertion tool

JT-A4 For 10mm~25mm and 3/8"~1"



Body size:
(mm)
 372^L × 62^W × 104^H
 (MAX371)
(INCH)
 14.65^L × 2.44^W × 4.1^H
 (MAX14.6)
Body weight:
 kg (lb) : 2.5 (5.5)

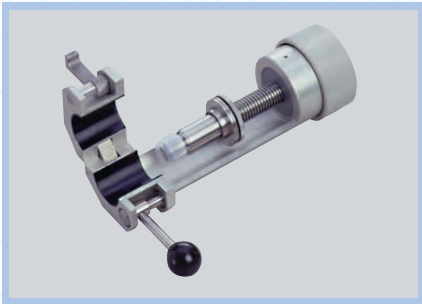
JT-C3 For 3mm~8mm and 1/8"~1/4" (10mm, 3/8" is available)



Body size:
(mm)
 296^L × 27^W × 151^H
(INCH)
 11.65^L × 1.06^W × 5.94^H
Body weight:
 kg (lb) : 0.58 (1.28)

Hand held insertion tool (for field service application)

JT-SA-KA For 3mm~25mm and 1/8"~1"



Body size:
(mm)
 220^L × 53^W × 75^H
(INCH)
 8.66^L × 2.09^W × 2.95^H
Body weight:
 kg (lb) : 0.70 (1.54)



**Sleeve holder
 and
 Tube holder**

Heat insertion tool

PT-FH
 For 3mm~25mm and 1/8"~1"



Flaring tool with Grip
Grip (mm) φ36 × 100H
(INCH) φ1.42 × 3.93H
Kit weight : kg (lb) : 0.3 (0.66)

PT-H
 For 3mm~25mm and 1/8"~1"



Sleeve holder with Base
Base (mm) φ80 × 10
(INCH) φ3.15 × 0.39H
Kit weight : kg (lb) : 0.6 (1.33)

JH-H



Heat gun
 110 ~ 115V

Refer instruction manual No.203* in using the tool.

	JT-A4		JT-C3		JT-SA-KA			PT-FH	PT-H
Tube size (O.D)	Tube holder	Sleeve holder	Tube clamp	Sleeve holder	Tube holder	Sleeve holder	ATTACHMENT	Flare	Sleeve holder
3 mm	—	—	J-TH-C1	P-SH-CK3	J-TH-SA3-KA	P-SH-SBK3	SA-SB-AT	P-FH-3	P-SH-H3
4	—	—	J-TH-C1	P-SH-CK4	J-TH-SA4-KA	P-SH-SBK4	↑	P-FH-4	P-SH-H4
6	—	—	J-TH-C2	P-SHP-CK6	J-TH-SA6-KA	P-SHP-SBK6(W2)		P-FH-6	P-SH-H6
8	—	—	J-TH-C2	P-SHP-CK8	J-TH-SA8-KA	P-SHP-SBK8		P-FH-8	P-SH-H8
10	J-TH-A10	P-SHP-AK10	—	—	J-TH-A10	P-SHP-SBK10		P-FH-10	P-SH-H10
12	J-TH-A12	P-SHP-AK12	—	—	J-TH-A12	P-SHP-SBK12	—	P-FH-12	P-SH-H12
19	J-TH-A19	P-SHP-AK19	—	—	J-TH-A19(W6)	P-SHP-SAK19(W6)	—	P-FH-9	P-SH-H19
25	*	P-SHP-AK25	—	—	*	P-SHP-SAK25(W8)	—	P-FH-25	P-SH-H25
1/8 inch	—	—	J-TH-C1	P-SH-CKW1	J-TH-SAW1-KA	P-SH-SBKW1	SA-SB-AT	P-FH-W1	P-SH-HW1
1/4	—	—	J-TH-C2	P-SHP-CK6	J-TH-SAW2-KA	P-SHP-SBK6(W2)	↑	P-FH-W2	P-SH-H6
3/8	J-TH-AW3	P-SHP-AKW3	—	—	J-TH-AW3	P-SHP-SBKW3		P-FH-W3	P-SH-HW3
1/2	J-TH-AW4	P-SHP-AKW4	—	—	J-TH-AW4	P-SHP-SBKW4		P-FH-W4	P-SH-HW4
3/4	J-TH-A19	P-SHP-AK19	—	—	J-TH-A19(W6)	P-SHP-SAK19(W6)		—	P-FH-19
1	*	P-SHP-AK25	—	—	*	P-SHP-SAK25(W8)	—	P-FH-25	P-SH-H25

* Holders incorporated on tool body. * For 19mm and 3/4", 25mm and 1" are common. * Short type Base plate "J-BP-CP" is also available.

Sleeve Holder for Short piece making

Tube size (O.D)	JT-A4	JT-C3
3 mm		P-SH-CK3
4		P-SH-CK4
6		P-SH-C6S2
8		P-SH-C8S2
10	P-SH-A10S2	P-SH-C10S2
12	P-SH-A12S2	
19 inch	P-SH-A19S2	
25	P-SH-A25S2	
1/8"		P-SH-CKW1
1/4		P-SH-C6S2
3/8	P-SH-AW3S2	P-SH-CW3C2
1/2	P-SH-AW4S2	
3/4	P-SH-A19S2	
1	P-SH-A25S2	

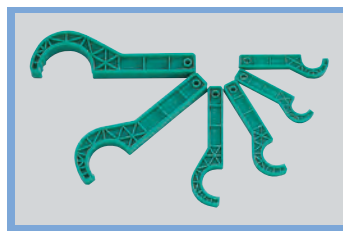
Options for JT-C3

	Tube clamp	Tube holder	sleeve holder
10mm	J-TH-C	J-TH-SB10	P-SHP-AK10
3/8"	J-TH-C	J-TH-SBW3	P-SHP-AKW3

* JT-C3 is also available for 10mm and 3/8" insertion.
* Sleeve holder is common with JT-A4

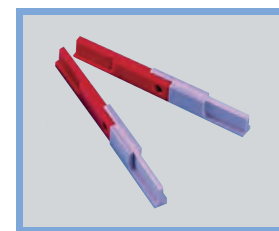
Wrench J-SN-SET

For 3mm~25mm and 1/8"~1"



Gap gauge

SSG-3 For 3mm and 1/8"
SSG-4 For 4mm



Refer instruction manual No.203* in using the tool.

NIPPON PILLAR PACKING CO., LTD.

Head Office : 11-48, Nonakaminami 2 Chome, Yodogawa-ku, Osaka, 532-0022 Japan.
Tel : 81-(0)6-6305-2821 Fax : 81-(0)6-6302-3300
E-mail : info@pillar.co.jp

Nippon Pillar Corporation of America : 1562, Parkway Loop, Suite2C, Tustin, CA 92780, USA.
Tel : 1-714-258-7741 Fax : 1-714-258-7760
E-mail : sales@nipponpillar.com

Nippon Pillar Singapore Pte, Ltd. : No. 237 Pandan Loop, #03-01 Westech Building, Singapore 128424
Tel : (65)6861-7138 Fax : (65)6862-9098
E-mail : npillars@singnet.com.sg

Taiwan Pillar Industry Co.,Ltd. : 8F, No.45, SEC.1, MINQUAN E. RD., ZHONGSHAN DIST., TAIPEI CITY, 10452, TAIWAN.
Tel : TAIPEI(886) 2-2587-1911 Fax : TAIPEI(886) 2-2585-3131
URL:http://www.taiwanpillar.com.tw/ E-mail: sales@taiwanpillar.com.tw

Shanghai Pillar Trading Co.,Ltd. : Far East International Plaza A-1111, No.319, Xianxia Road, Changning District, Shanghai China. (200051)
Tel : CHINA(86) 21-6208-7711 Fax : CHINA(86) 21-6235-0501
URL:http://www.pillar-cn.com/ E-mail: sales@sh.pillar-cn.com

Nippon Pillar Packing Co.,Ltd. India Liaison Office : 111(old no.46),4th Main Road, Gandhi Nagar, Adayar, Chennai 600 020, India
Tel : +91-44-3299-1422

<http://www.pillar.co.jp/> e-mail : info@pillar.co.jp

*Specifications and dimensions are subject to change without prior notice.
*The data on this catalogue are solely for your reference and are not to be construed as constituting a warranty.



• Follow the instructions, before installation and operation, for your safety.